

## 8" Android Face Recognition Terminal

### Model:

Pole-mounting: SF008-11AP(QR)

Wall-mounting: SF008-11AW(QR)



### Main Features:

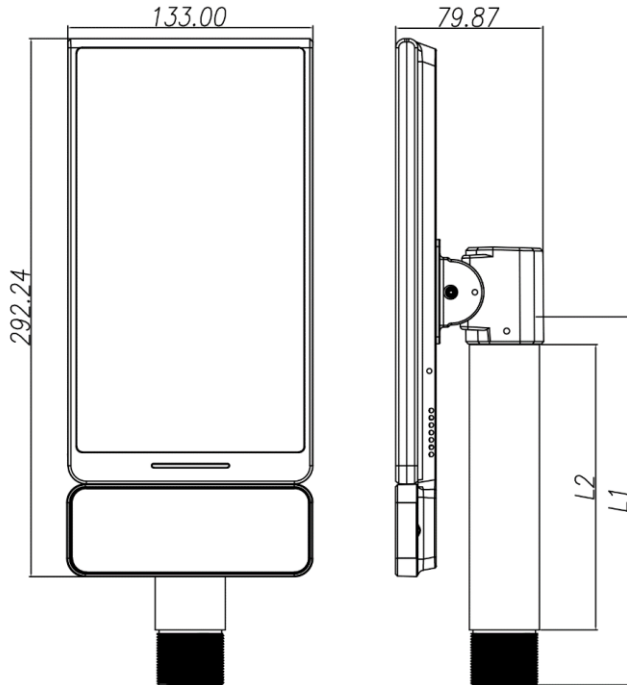
- Support real time liveness detection
- Built-in quad-core CPU
- Mean time between failures MTBF>50000 H
- From -20 °C to + 60 °C environment for long-term stable operation
- 8-inch IPS HD touch screen, no streaking and delay
- Support microphone input audio, speaker output audio
- Support WiFi
- Support 13.56Mhz & 125Khz card reading
- Supports QR code, PDF417 and other code systems for QR code and one-dimensional code recognition
- Rich hardware interface of pole-mounting device (I/O, WG26, WG34, RJ45, USB, RS485)
- Rich hardware interface of wall-mounting device (I/O, WG26, WG34, RJ45, Door sensor, Doorbell, Open door, Alarm, RS485)

## Specifications:

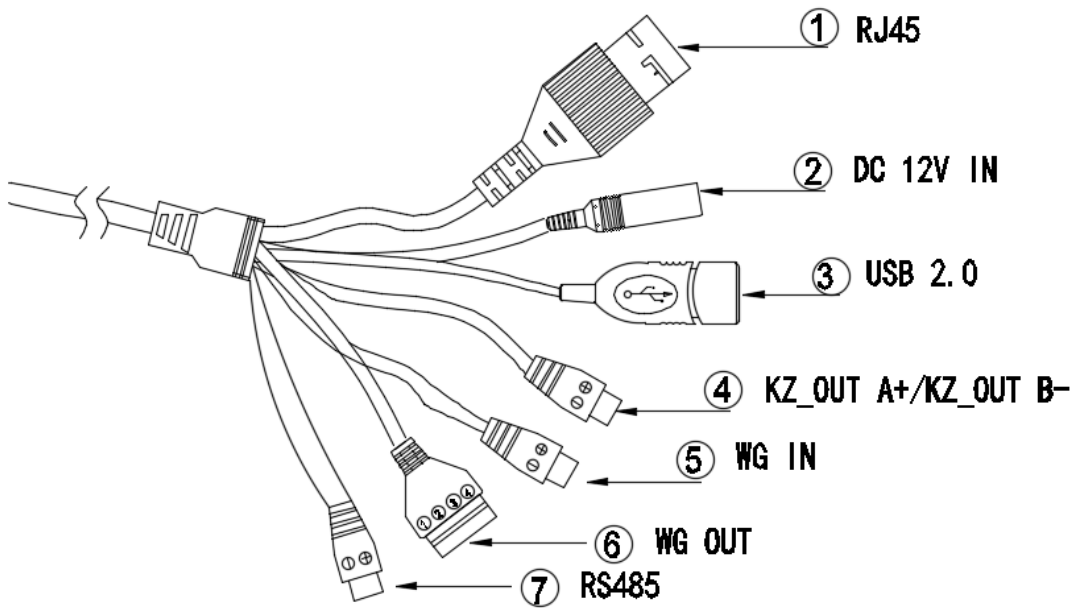
Hardware	
Processor	RK3568, quad-core 64-bit Cortex-A55, frequency up to 2.0GHz
Operating system	Android 11.0 Operating system
Memory	2G+16G
Camera	Dual camera, 2MP, 1920*1080
Sensor	1/2.8" Progressive Scan CMOS
Lens	4.32mm
QR Code module	640 (Horizontal) X 480 (Vertical) CMOS, Horizontal Viewing Angle 31° , Support QR code, PDF417, EAN13, EAN8, UPC-A, and other kinds of 1D code, 2D code
WiFi module	2.4GHz frequency band, IEEE802 b/g/n protocol
Bluetooth	Bluetooth BT5.0, transmission rate 3Mbps
Card swiping module	13.56MHz band cards such as mifare one (M1), S50, S70, NTAG2xx, etc., and 125KHz band cards such as TK and EM series
Touch screen module	Multi-touch capacitive touch screen
Speaker	Voice playback content can be customized
Interface	Pole-mounting device
Power out	DC12V/2A
Network interface	1 RJ45 10M / 100M adaptive Ethernet port, Gigabit Ethernet port can be customized
Switching output	1 way switch output, other GPIO port can be customized
Wiegand interface	1ch Wiegand interface input/output
Communication interface	1ch RS485 interface
USB interface	1ch USB interface
Interface	Wall-mounting device

Power out	DC12V/2A
Network interface	1 RJ45 10M / 100M adaptive Ethernet port, Gigabit Ethernet port can be customized
Wiegand interface	1ch Wiegand interface input/output
Alarm interface	1ch alarm interface
Door sensor interface	1ch magnetic interface
Open interface	1ch open door interface
Doorbell interface	1ch doorbell interface
Lock interface	1ch lock interface
Communication interface	1ch RS485 interface
Camera	
Camera	Dual cameras, G+P lens, visible light and near infrared, support liveness detection
Effective pixels	2MP, 1920*1080
Min Illumination	Color 0.01Lux @F1.2(ICR);B/W 0.001Lux @F1.2 (ICR)
SNR	≥50db(AGC OFF)
Regular	
Operating temperature	-20°C - +60°C
Working humidity	0~90% relative humidity, no condensation
Salt spray	level Rp6 or above
Antistatic	contact ±6KV, air ±8KV
Power	DC12V/2A
Waterproof	Pole-mounting device:IP66; Wall-mounting device: IP65
Power	15W(MAX)
Screen size	8 inches IPS HD screen, Resolution: 1280*800
Equipment size	Pole-mounting: 242 (L) * 133 (W) * 79.8 (T) mm Wall-mounting:242 (L) * 133 (W) * 22 (T) mm

Pole-mounting Device Size:

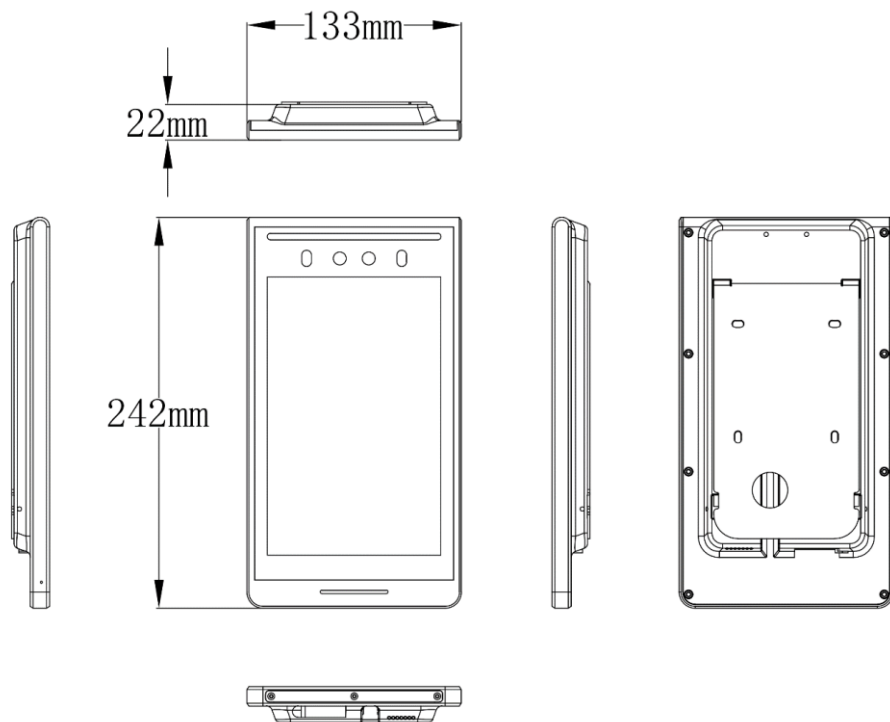


Pole-mounting Device Interface:



No.	Name	Quantity	Remark
1	Network	1	RJ45
2	Power	1	DC12V IN
3	USB	1	USB 2.0
4	Switch Output	1	Switch output interface A+/B-
5	Wiegand protocol input interface	1	① vcc12V ② GND ③ D0 ④ D1
6	Wiegand protocol output interface	1	① vcc12V ② GND ③ D0 ④ D1
7	RS485	1	① 485- ② 485+

Wall-mounting Device Size:



Wall-mounting Device Interface:

