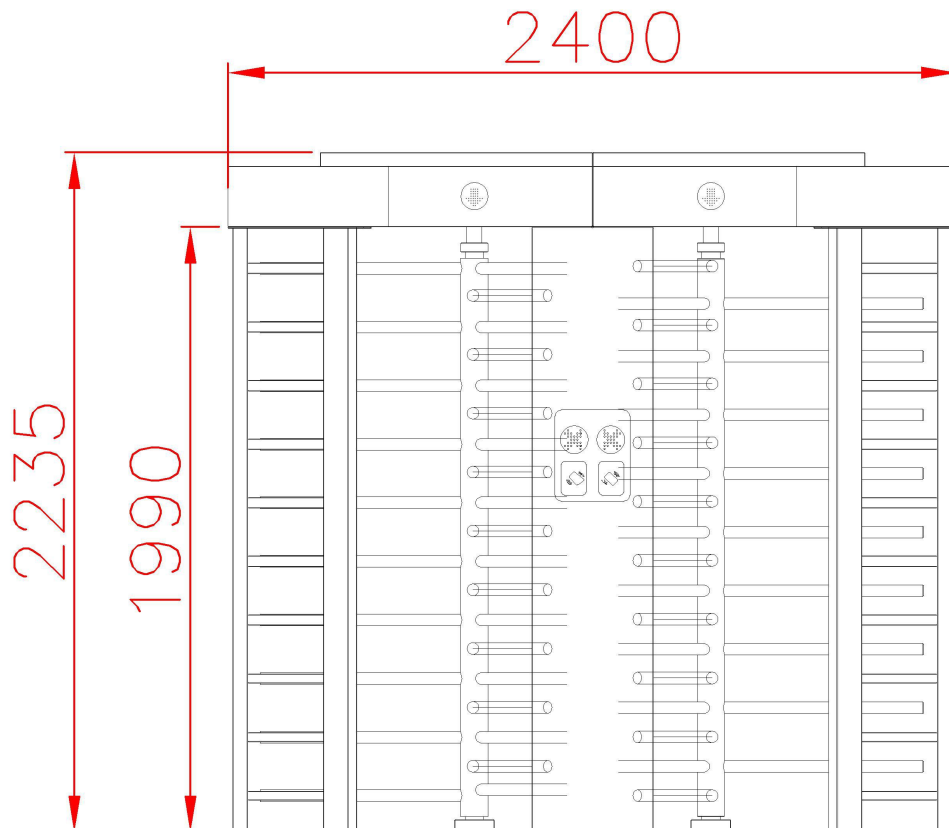
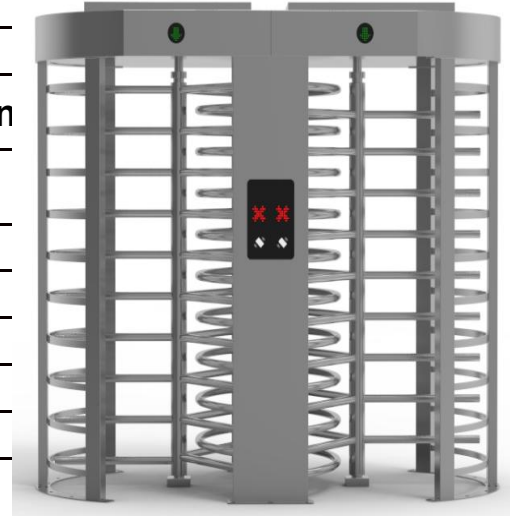
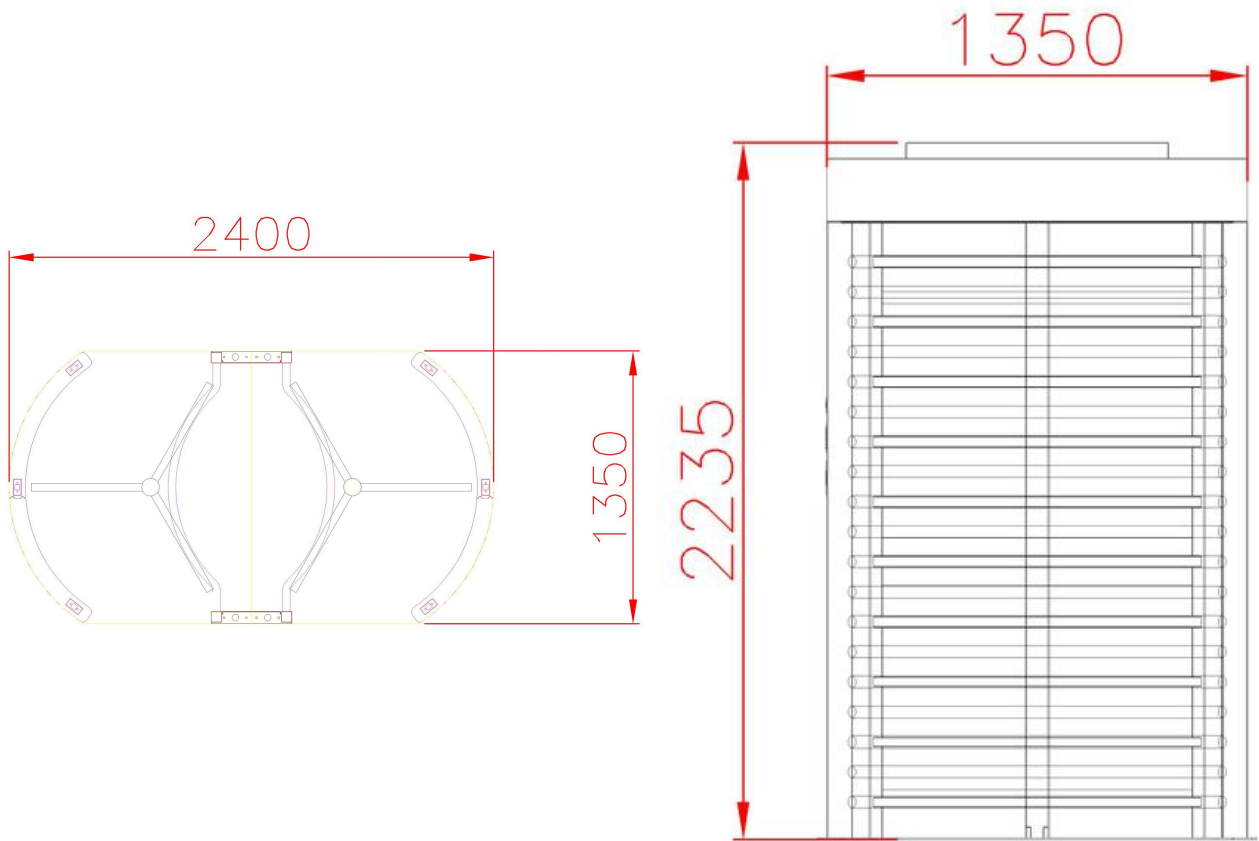


● **Standard**

<b>Standard model</b>	<b>ZOJE-Z2006</b>
<b>Turnstile type</b>	<b>Full height turnstile</b>
<b>Material</b>	<b>304 stainless steel with coating</b>
<b>Door type</b>	<b>X type-3(120°)</b>
<b>Dimension</b>	<b>2400*1350*2250mm (L*W*H)</b>
<b>Passage width</b>	<b>500mm</b>
<b>Direction</b>	<b>Double/ bidirectional</b>
<b>Function</b>	<b>Fail safe</b>
<b>Power supply</b>	<b>AC110-220V, 50/60Hz</b>
<b>Working environment</b>	<b>Indoor &amp; outdoor</b>
<b>LED indicator</b>	<b>Yes</b>
<b>Motor type</b>	<b>Brush motor</b>



● **Warranty: One year for electric parts, two years for mechanical parts.**



●Optional

<b>Material</b>	<b>316 stainless steel</b>
<b>Dimension</b>	<b>Customized</b>
<b>Drive type</b>	<b>Brushless motor</b>
<b>Access control board</b>	<b>Can used offline</b>
	<b>Offline storage 100,000 records</b>
	<b>30,000 user registration</b>
	<b>TCP/IP communicatoion</b>
	<b>Connect IC/ID card reader,</b>
	<b>QR code scanner</b>
	<b>fingerprint,face recognition</b>
<b>IC card reader</b>	<b>Yes</b>
<b>IC card register</b>	<b>Yes</b>
<b>IC card</b>	<b>Yes</b>
<b>QR code scanner</b>	<b>Yes</b>
<b>Biometric verification</b>	<b>Fingerprint</b>
	<b>Face recognition</b>

All ZOJE turnstile gates can easily be integrated with virtually any access control system.

All ZOJE turnstile gates are built with self-designed mechanical structure for stable and long-time operation.

