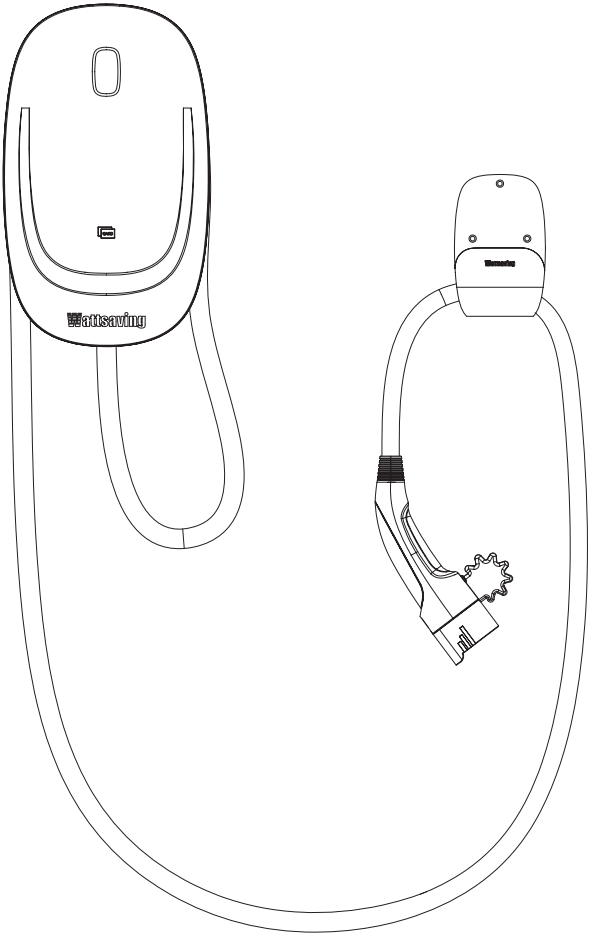




22kW AC EV Charger

User Manual Model E22



Congratulation on your new EV charger.
Read this manual carefully before use and keep it for future reference.


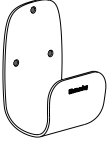

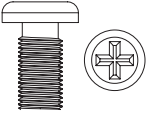
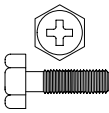
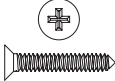
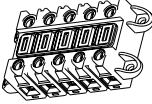
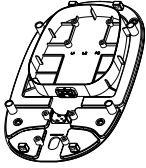



Table of Contents

1. Specifications.....	3
2. Packing List	4
3. Product Overview	5
4. Installation	6
4.1 Charging Station Installation	6
4.2 Connector Holster Installation	9
5. Charging Operation	10
5.1 Plug-and-Charge Mode (Default)	10
5.2 RFID Mode	10
6. LED Indicator	12
7. Troubleshooting	12
8. Safety Warning	14
9. Warranty	15

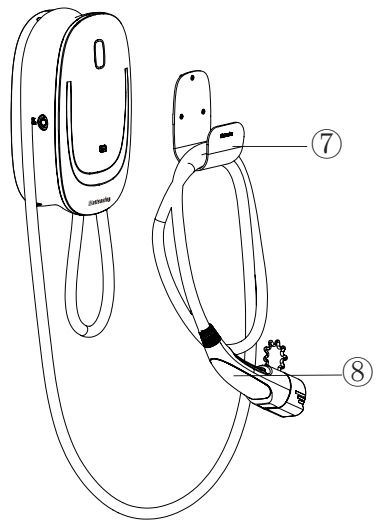
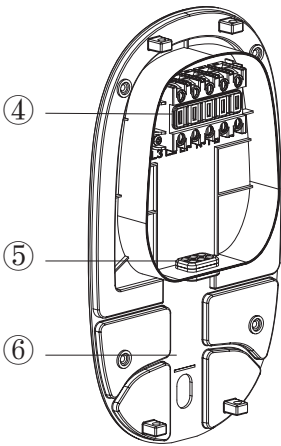
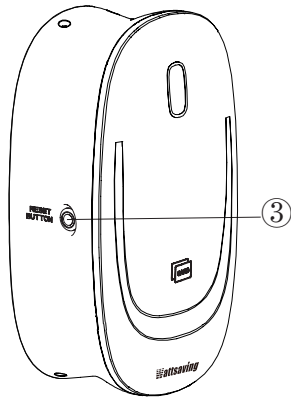
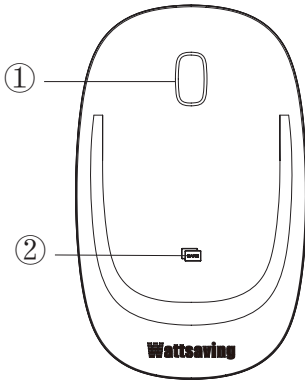
1 Specifications

Item	Description
Model	E22
Dimension (H x W x D)	13" x 7.9" x 4.6" (331 x 201 x 116 mm)
Weight	8.4 lbs. (3.8 kg)
Storage Temperature	-40 to 176 ° F (-40 to 80 ° C)
Operating Temperature	-22 to 131 ° F (-30 to 55 ° C)
Operating Humidity	5% to 95%
Mounting	Wall-mounted or floor using a pedestal
Enclosure Ratings	IP65 for indoor or outdoor installation
Protection	Leakage Current and Ground Fault Protection, Lightning Protection, Overvoltage Protection, Undervoltage Protection, Overcurrent Protection, Overtemperature Protection
Ground Fault Detection	Built-in type A RCD (residual-current device)
Warranty	2 years
Standards	EN/IEC 61851-1:2019 EN/IEC 61851-21-2:2021 IEC/IEC 62955:201 IEC/IEC 62196-2
Status Display	LED
Charging Cable Length	16.5 ft. (5 m)
Input Wiring	Hardwired
Input Cord	L1, L2, L3, N (Neutral), and PE (Protective Earth)
AC Power Input Rating	380±20%Va.c., 50/60 Hz, 32 A (Max)
AC Power Output Rating	Maximum 22 kW
Connector Type	Type 2
Charging Mode	Plug-and-Charge / RFID Card
Card Reader	RFID

2 Packing List

<p>Charging Station (with Connector)</p>		<p>Connector Holster</p>	
<p>Wall Anchor (7 pcs)</p>		<p>Type A Screw (M4 x 12 mm) (4 pcs)</p>	
<p>Type B Screw (M4 x 10 mm) (4 pcs)</p>		<p>Type C Screw (M4 x 30 mm) (7 pcs)</p>	
<p>Screw Terminal Strip</p>		<p>Wall-dock Back Panel</p>	
<p>User Manual</p>		<p>Product Quick Guide</p>	
<p>RFID Card (2 pcs)</p>			

3 Product Overview

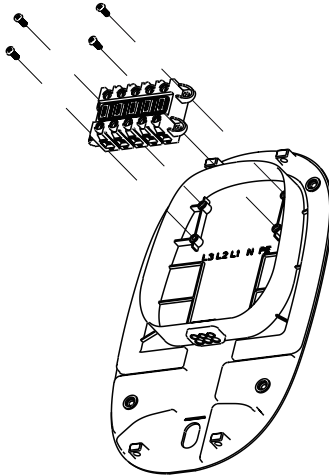


- ① Led Indicator
- ② RFID Reader (Interrogator)
- ③ RESET BUTTON
- ④ Screw Terminal Strip
- ⑤ Input Cable Entry
- ⑥ Wall-dock Back Panel
- ⑦ Connector Holster
- ⑧ Connector Plug

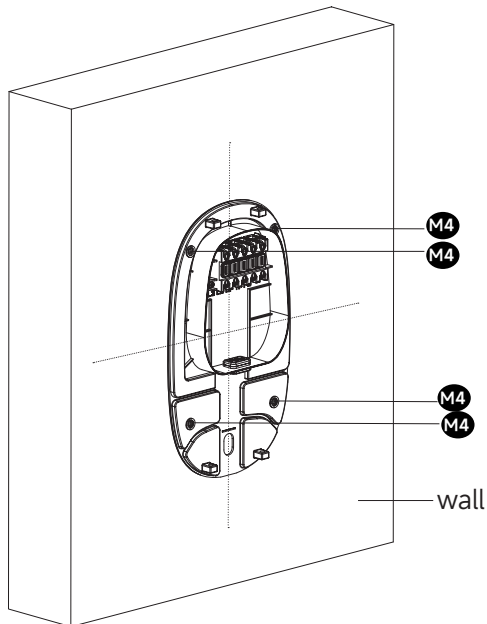
4 Installation

4.1 Charging Station Installation

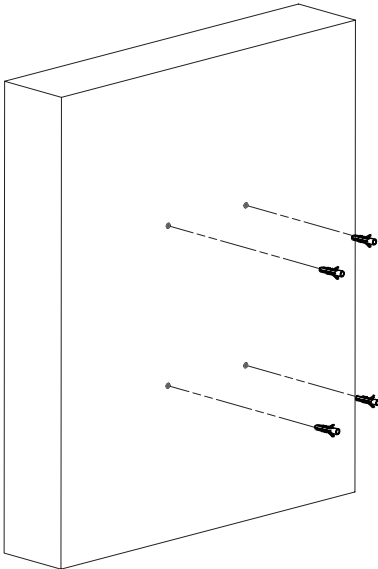
4.1.1 Screw and tighten the screw terminal strip into the wall-dock back panel using 4 type B (M4 x 10 mm) screws.



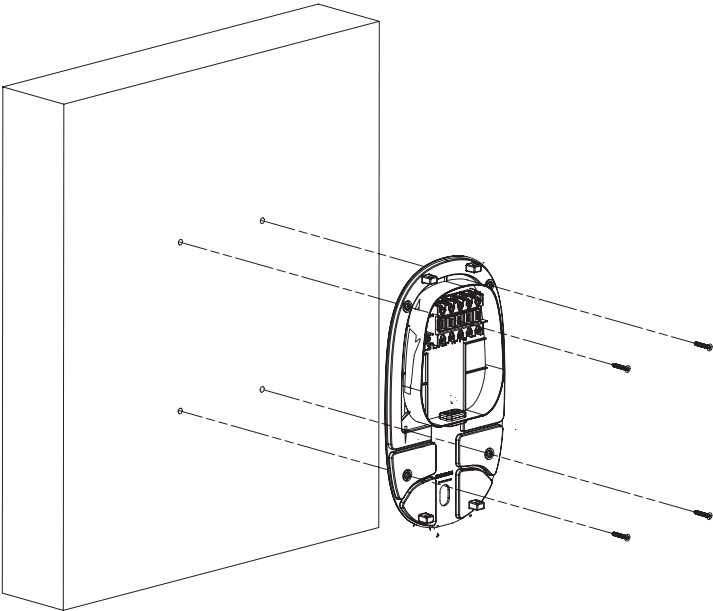
4.1.2 Find the wall stud nearest to the power supply wiring, place the wall-dock back panel to the wall stud and mark 4 mounting holes (M4), then remove the back panel.



4.1.3 Drill 4 holes (M4) and insert 4 wall anchors into the mounting holes.

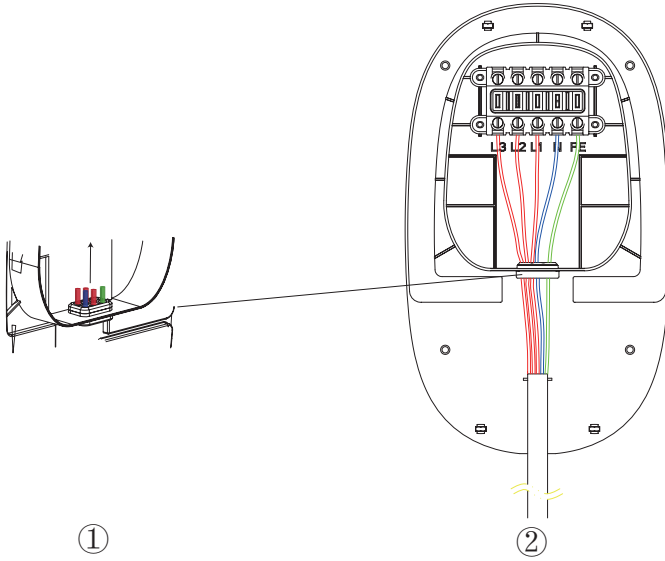


4.1.4 Place the back panel, then screw and tighten 4 Type C (M4 x 30 mm) screws into the mounting holes.

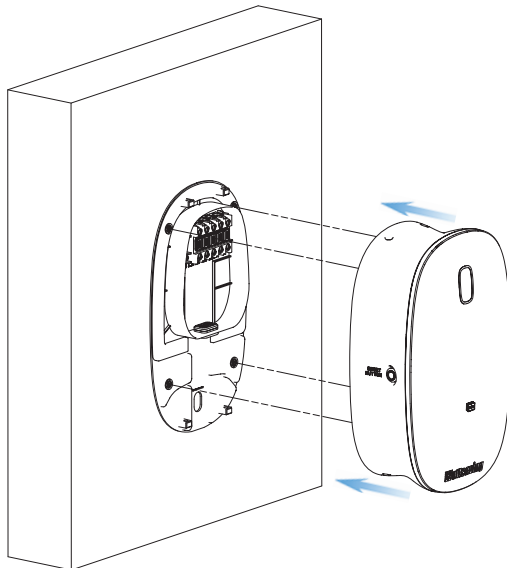


4.1.5 Three-Phase Hardwired

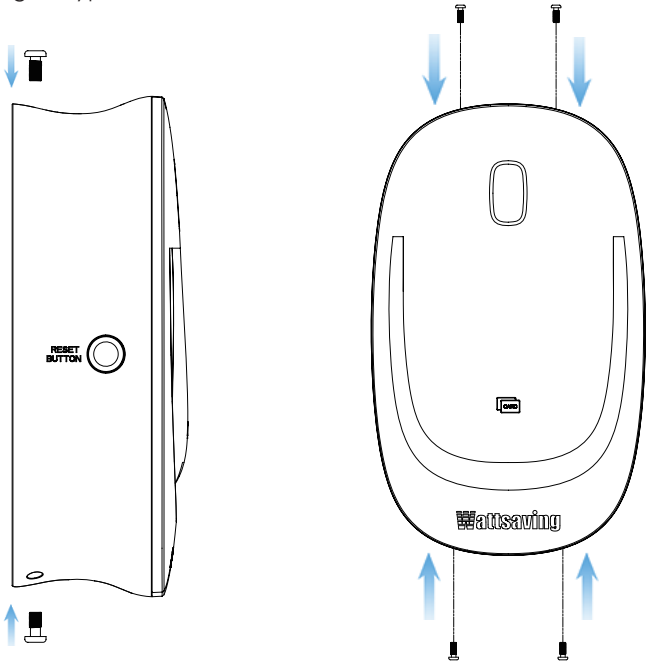
- ① The input cables pass through the waterproof holes.
- ② Connect the wires (L1, L2, L3, N, and PE) per the diagram and tighten each screw.



- 4.1.6 Align the charging station with the wall-dock back panel, gently insert and assemble.

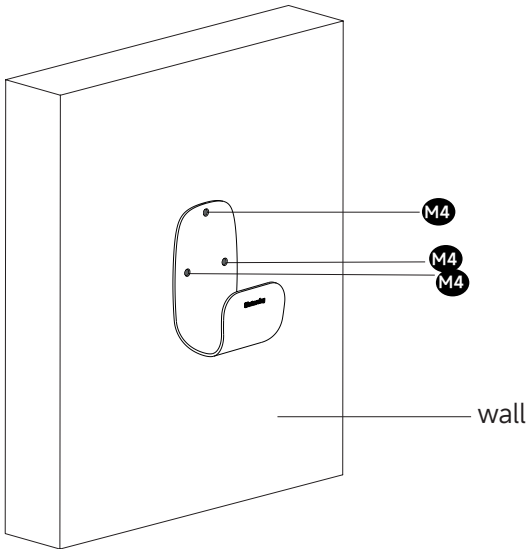


4.1.7 Screw and tighten the charging station into the wall-dock back panel using 4 Type A (M4 x 12 mm) screws.

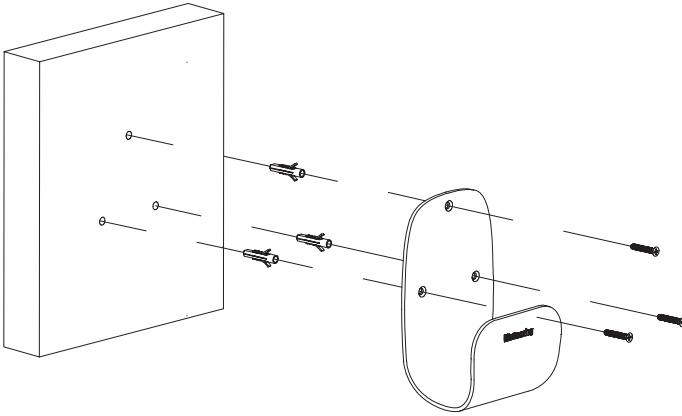


4.2 Connector Holster Installation

4.2.1 Place the holster wall dock on the wall and keep it level, and mark the 3 mounting holes (M4), then remove the holster wall dock.



4.2.2 Drill 3 holes and insert 3 wall anchors into the mounting holes. Place the holster wall dock, then screw and tighten 3 Type C (M4 x 30 mm) screws into the mounting holes.



5 Charging Operation

5.1 Plug-and-Charge Mode (Default)



- When the charging station is on standby, plug in the connector to your EV, and the LED will turn blue from purple.
- The LED will be flashing green while charging.
- When your EV is fully charged, the LED will be solid green, unplug the connector and place it back into the holster.



If you need an emergency stop while charging, please press the RESET BUTTON then unplug the connector.

5.2 RFID Mode

5.2.1 How to the Enable the RFID Cards

A) When the charging station is on standby, press the RESET button and hold till the LED turns orange from purple.

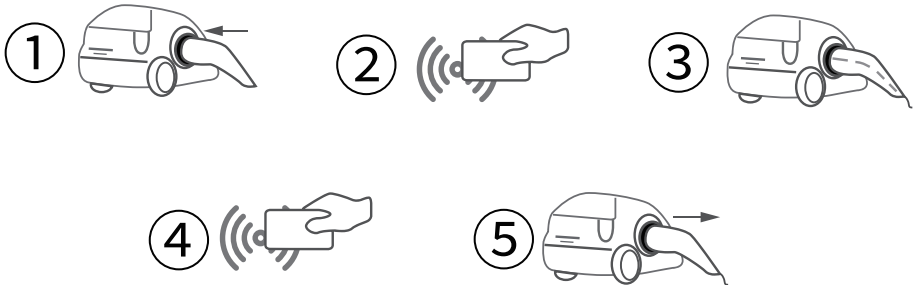
B) Place the RFID card into the RFID Reader (Interrogator) within 15 seconds and wait till the LED turns back to purple.



NOTE

1. Another RFID card will automatically be enabled without any operation.
2. Once you enable the RFID mode, the plug-and-charge mode will be disabled, if you want to use the plug-and-charge mode, please contact us for tech support.

5.2.2 RFID Charging Mode



- When the charging station is on standby, plug in the connector to your EV, and the LED will turn blue from purple.
- Tap the RFID card on the RFID reader.
- The LED will be flashing green while charging.
- Tap the RFID card on the RFID reader again to stop charging.
- When your EV is fully charged, the LED will be solid green, unplug the connector and place it back into the holster.

6 LED Indicator

Description	Led Indicator
Standby	Solid Purple
Connector Plug in	Solid Blue
Charging	Flashing Green
Fully Charged	Solid Green
RFID Card Setting	Solid Orange
Fault	Flashing RED

7 Troubleshooting

LED Status	Problems	Solutions
The red light flashes slowly once and quickly once, alternately cycle.	Grounding Fault	<ol style="list-style-type: none"> 1. Immediately turn off the leakage/over-current protection switches in the power distribution box. 2. Check whether the input cables are grounded correctly. 3. After the fault is rectified, power on the device again. If the fault persists, contact us.
The red light flashes slowly twice and quickly twice, alternately cycle.	Output Overcurrent	<ol style="list-style-type: none"> 1. Immediately turn off the leakage/over-current protection switches in the power distribution box. 2. Check whether there is low impedance or short circuit between the charger output line. 3. Ensure the charging current to less than 35A. 4. After the fault is rectified, power on the device again. If the fault persists, contact us.
The red light flashes slowly twice and quickly for 4 times, alternately cycle.	Over-heating	<ol style="list-style-type: none"> 1. Check the charger installation environment. 2. Check whether there are other heating devices nearby. 3. Ensure that the ambient temperature is below 50°C .

The red light flashes slowly for 3 times and quickly for 2 times, alternately cycle.	Input Overvoltage	If the voltage exceeds 265Vac for a short time,wait for the power grid to restore itself to the normal voltage range. Contact local power grid company if the voltage fault persists.
The red light flashes slowly for 3 times and quickly for 3 times, alternately cycle.	Input Undervoltage	If the voltage under 90Vac for a short time,wait for the power grid to restore itself to the normal voltage range. Contact local power grid company if the voltage fault persists.
The red light flashes slowly twice and quickly once, alternately cycle.	Relay Adhesion	Please contact us if the fault persists.
The red light flashes slowly for 2 times and quickly for 3 times, alternately cycle.	Residual Current Detected	<ol style="list-style-type: none"> 1. Immediately turn off the leakage/over-current protection switches in the power distribution box. 2. Check whether the charger output line is damaged or has low impedance to the ground or short circuit. 3. After the fault is rectified, power on the device again. If the fault persists, contact us.
The red light flashes slowly for 3 times and quickly once, alternately cycle.	L/N Connected Reversely	<ol style="list-style-type: none"> 1. Immediately turn off the leakage/over-current protection switches in the power distribution box. 2. Check whether the input L/N cables are connected in correct sequence. 3. After the fault is rectified, power on the device again. If the fault persists, contact us.
The red light flashes slowly once and quickly twice, alternately cycle.	CP Frequency Fault	
The red light flashes slowly once and quickly for 3 times, alternately cycle.	CP Duty Cycle Fault	<ol style="list-style-type: none"> 1. Check whether the charging connector is connected correctly and stably. 2. IF the fault persists, contact us.
The red light flashes slowly once and quickly for 4 times, alternately cycle.	CP Voltage Level Fault	

8 Safety Warning



For your own safety and the safety of others, and to prevent damage to the device and vehicles upon which it is used, it is important for all Wattsaving users to read and follow this manual and safety instructions during installation, operation, and maintenance. Non-compliance may cause damage to the EV charger, and may also lead to electric shock, fire, property damage, and personal injury.

Safety Instructions

This product should only be installed by a licensed electrician in accordance with all local codes and ordinances.

- Please turn off the power at the circuit breaker before installing or cleaning this product.
- Please do not install or use this product near flammable, explosive, rough or combustible materials, chemicals or vapors.
- Please do not use the product if the enclosure or the EV connector is frayed, broken, otherwise damaged, or fails to operate.
- Please do not operate this product at a temperature beyond -30 to 55 ° C.
- Please do not repair or refit without authorization, contact our support for help.
- Please do not disassemble safety signs, warning notices, labels, or markings.
- Please do not spray water or other liquids directly onto the charging station or the connector.
- Do not immerse the charging connector in liquid.
- Please do not forcibly fold or apply pressure to any part of this product or use sharp objects to damage it.
- Please do not subject this product to strong force or impact or pull, twist, tangle, drag or step on it to prevent damage to itself or its components during transportation.
- Please read the safety instructions in the manual carefully when using our EV charger to charge your electric vehicle.

9 Warranty

This warranty statement sets forth Wattsaving's total and exclusive warranty obligation. We will not assume, nor authorize any person to assume for us, any other liability in connection with the sale of our products. Please contact us for extended warranty service if necessary.

Warranty Period

Wattsaving provides a 2-year limited warranty to the original customers who have purchased from our official online store directly. The warranty period is measured starting on the date of purchase. Please keep the invoice or other proof of purchase for warranty service.

Remedy

Wattsaving will repair or replace (at Wattsaving 's option) any Wattsaving product that fails to operate during the applicable warranty period due to a defect in workmanship or material. If a valid claim is made during the applicable period, Wattsaving, at its option, will either (1) replace the product, or (2) exchange the product with a product that is of equal value. A replacement product assumes the remaining warranty of the original product or 180 days from the date of replacement, whichever is greater. Customers are responsible for the return shipping costs.

Wattsaving's warranty policy does not apply to:

1. Products purchased from unauthorized resellers.
2. Products have exceeded the warranty life and the warranty life has not been extended.
3. Misused, abused, modified, damaged by accident, or used for anything other than normal consumer use as authorized in Wattsaving's current product literature.
4. Attempted repair by anyone other than an authorized facility or operation not in accordance with the official instructions or manuals.
5. Damage caused by irresistible forces such as floods, fires, and lightning strikes.
6. Incorrect installation and testing of this product may damage the vehicle or the AC charging station itself, and any damage caused by this will not be covered by the warranty.



 www.wattsaving.com

SHENZHEN WATTSAVING ELECTRICAL TECHNOLOGY CO.,LTD
support@wattsaving.com



Made in China